



109415-2

1979-1993 Fox Body Mustang  
GM LS & 700R4, 4L60E or 4L65E Conversion Kit

Direct bolt in kit includes two Polyurethane bushed engine mounts and a bolt in transmission cross member to install a GM LS with a 700R4, 4L60E or 4L65E Transmission. Polyurethane transmission mount (not Shown) and all hardware included.

At Tin Man Fabrication we have taken pride in providing a very high quality product that can fit the needs of many applications. A complete list of Tin Man products is available on our website at [www.tinmanfabrication.com](http://www.tinmanfabrication.com).



Thank you for your purchase!  
Call 877-866-2338 for Technical Help.

Hardware:

**Motor Mounts**

6 – 3/8 – 16 x 3/4" bolts, lockwashers

2 – 1/2 - 13 x 1 1/4" bolts, lockwashers, USS flat washers, nuts

**Crossmember**

2 – 3/8 – 16 x 6 1/2, Bolt & serrated flange nut

2 – 3/4" bushings

2 – 1" bushings

2 – 2 1/2" bushings

***Other Tin Man products to consider:***

Fox Mustang mid length Sub Frame Connectors Part #109413

**Tin Man Fabrication**

21461 Aberdeen St NE, East Bethel, MN 55011  
[www.tinmanfabrication.com](http://www.tinmanfabrication.com)

Phone: 763-753-4265  
Toll free: 877-866-2338  
1/2019

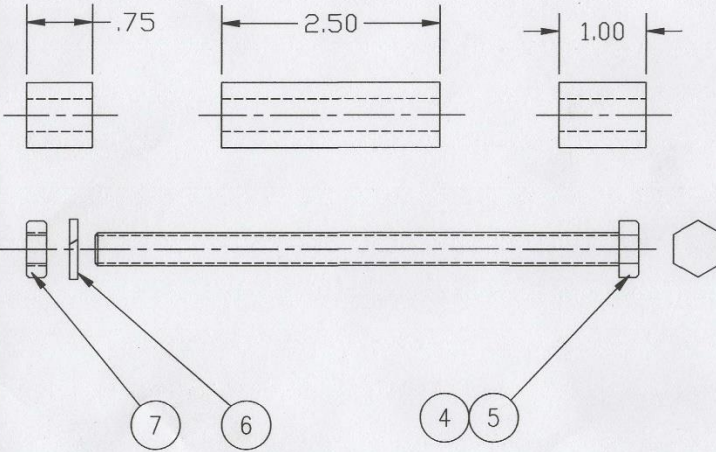
109415-2



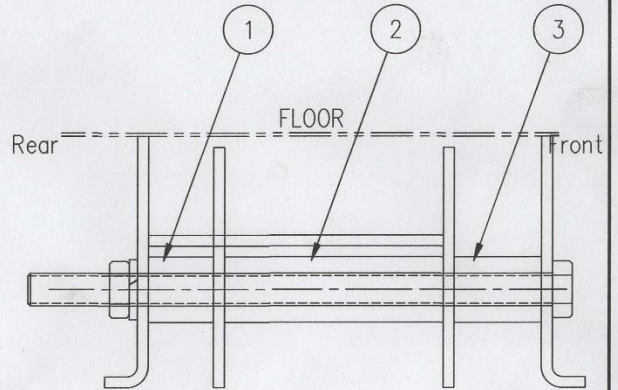
1979-1993 Fox Body Mustang  
GM LS & 700R4, 4L60E or 4L65E Conversion Kit

NOTES:

1. ALL DIMENSION TOLERANCE  $\pm 0.020$  UNLESS NOTED.



ITEM #	MAT'L TYPE	SIZE/DESCRIPTION	QTY
1	1018 CRS	$\phi$ .75 O.D. X $\phi$ 3/8 I.D. X .75" LG,	2
2	1018 CRS	$\phi$ .75 O.D. X $\phi$ 3/8 I.D. X 2.50" LG,	2
3	1018 CRS	$\phi$ .75 O.D. X $\phi$ 3/8 I.D. X 1.0" LG,	2
4	-	3/8-16NC X 6" LG. HHCS BOLT	2
5	-	3/8-16NC X 7" LG. HHCS BOLT	2
6	-	3/8 LOCK WASHER	2
7	-	3/8-16NC HEX NUT	2



X	X	X	X	X	
LEVEL	DATE		BY	APP	
		21461 Aberdeen St NE East Bethel, MN 55011 Ph: (763) 753-4265 Builder and Fabricator of Quality Rods and Customs	ALL RIGHTS RESERVED ALL RIGHTS TO THIS DRAWING ARE HELD AT ALL TIMES BY TINMAN FABRICATION INC. & NO PORTION OF THIS DRAWING MAY BE COPIED, REPRODUCED, COMMUNICATED, OR RENDERED ACCESSIBLE TO THIRD PARTIES WITHOUT PRIOR WRITTEN CONSENT.		

EXCEPT AS NOTED: 1) ALL FINISHED SURFACES TO BE 125 MICRO IN. 2) BREAK ALL SHARP EDGES 3) TOLERANCES ON DIMENSIONS TO BE: FRACTIONAL +/- 1/16" DECIMAL .XX +/- .010" DECIMAL .XXX +/- .005" ANGULAR TOL. +/- 1 Degree		TITLE: Bushing Kit Fox/700R4 & 4L60E B	
DR BY: JRC	MAT'L:	HRPO	QTY:
CK BY:	FINISH:	NONE	SCALE: 1:22
DATE: 12/17	DWG. NO. 300294	REV	SHT
NXT ASSY		-	1/1